



PLS-045B-6VAI

Stainless Steel Level Sensor

RoHS
REACH

Parameter @25 C	Symbol	Value			Unit
		min.	typ.	max.	

Electrical Characteristics

Contact form	-		B		
Contact rating	P_s			50 / 50	W / VA
Switching voltage	U_s			200 / 250	VDC / VAC
Breakdown voltage	U_{bd}	400			VDC
Switching current	I_s			1.5	A
Carry current	I_c			2.0	A
Resistance	R_{ges}			130	m Ω

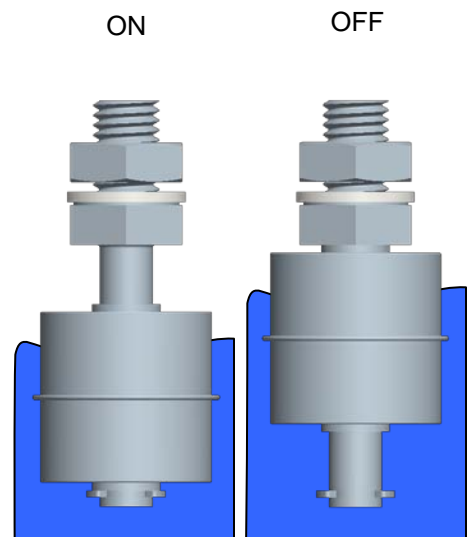
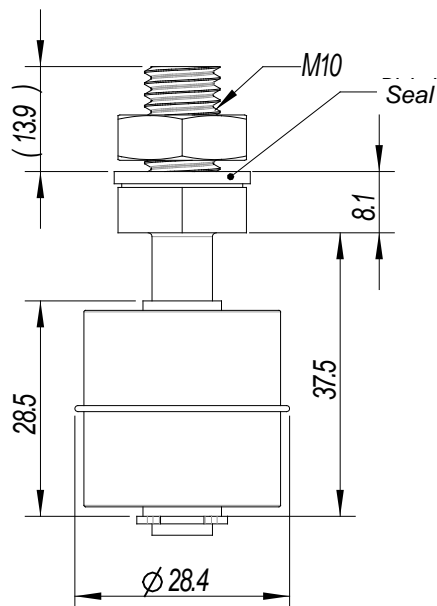
Environmental Characteristics

Operating temperature	T_{op}	-40		+125	C
Storage temperature	T_{stg}	-40		+125	C

Mechanical Characteristics

Average density (float)	δ_m		0.67		g/cm ³
Housing material	V2A 304				
Cable	2x UL1332, AWG 22, 300mm (5mm stripped + tinned)				

Dimensions



all dimensions in mm